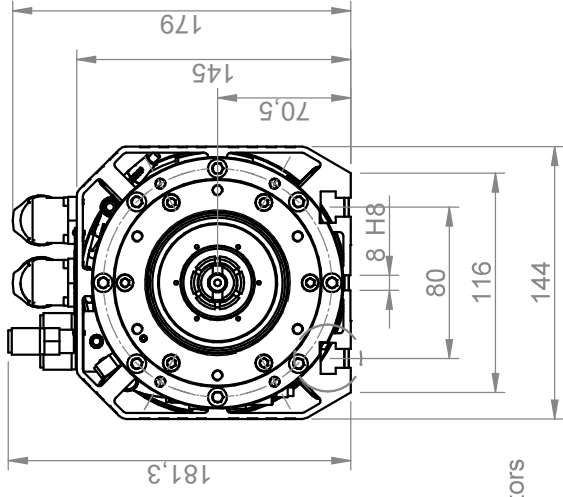
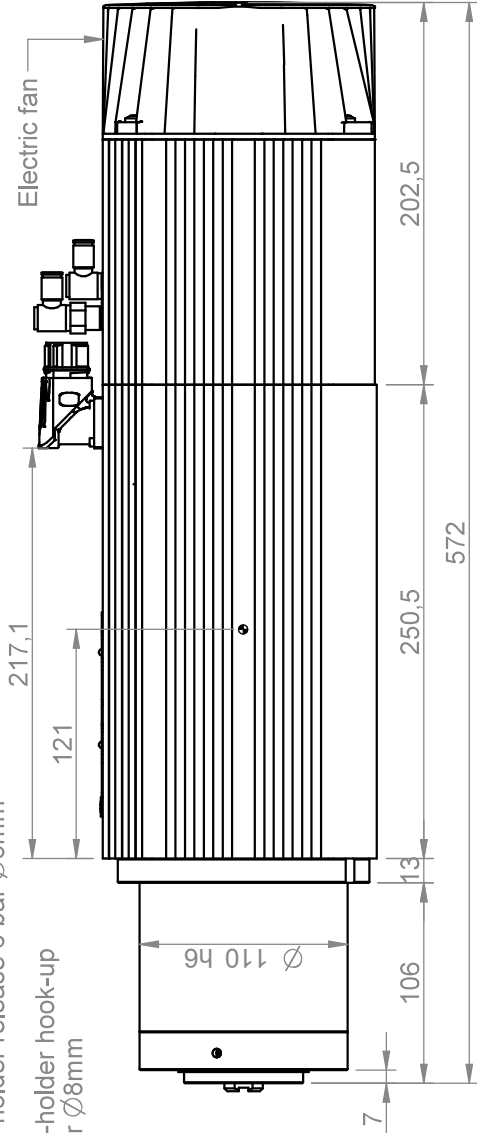
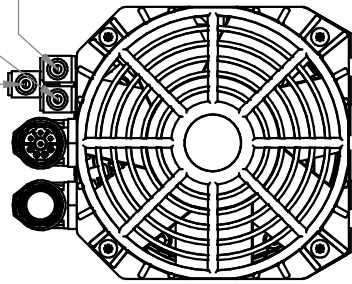
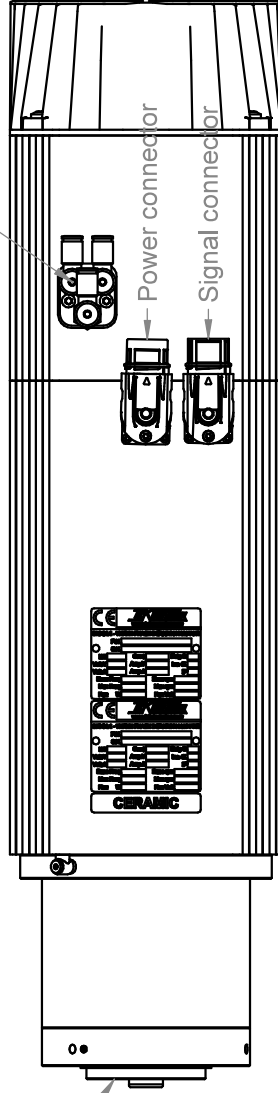


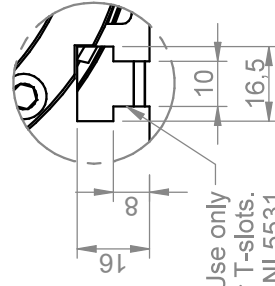
Air inlet pressurization 6 bar  $\varnothing$ 8mm  
(Automatic cone cleaning included)  
Tool-holder release 6 bar  $\varnothing$ 8mm  
Tool-holder hook-up  
6 bar  $\varnothing$ 8mm



HSK F63  
Taper 1:10



Pneumatic connectors



Use only  
nuts for T-slots.  
UNI 5531

Power connector	
1	U
2	V
3	W
GND	Ground
A	Fan (L) 220V
B	Thermal protection
C	Thermal protection
D	Fan (N) 220V

Signal connector	
1	S1
2	S2
3	S3 tacho
4	S4
5	S5
6	0 V
7	+24V DC

Power [kW]		Duty Cycle	Base speed [rpm]	Base freq. [Hz]	Base voltage $\Delta$ [V]	Base voltage $\gamma$ [V]	Protection	Ins. Cl.
10.0/12.0		S1/S6-60%	12000	400	380	IP54	F	
Min speed [rpm]		Max speed [rpm]	Max freq. [Hz]	Absorb. $\Delta$ [A]	Absorb. $\gamma$ [A]	Part number on nameplate		
3000		24000	800		20.0/24.0	COMTC710027		
Balancing: G2.5 - ISO 1940 @ maximum motor speed		Balancing type		Full key	Half key	Peso / weight		
				$\overline{\overline{\vee}} = 0,8$	$\overline{\vee} = 3,2$	86.30 kg		
Tolleranze non quotate / unlisted tolerances: $\pm 0,5\text{mm}$ Smussi non quotati / unlisted chamfers: $\pm 0,5\text{mm}$		checked - date		date		signature		
rev. n°		approved - date	checked - date	date		signature		
00		S. Peiri - 01/02/2017	S. Peiri - 01/02/2017	01/02/2017		D. Bottarel		
description		Emissione		Title		Customer		
				ATC71-C-HSK63F-LN-4P		Catalogo		
drawn - date		approved - date	checked - date	Drawing code		Drawing n°		
D. Bottarel - 01/02/2017		S. Peiri - 01/02/2017	S. Peiri - 01/02/2017	COMTC710027		5067		
foglio / sheet		scala		foglio / sheet		scala		
1 / 1		1:4		1 / 1		1:4		
A4		A4		A4		A4		

Il presente disegno è di proprietà esclusiva di Teknomotor S.r.l. La riproduzione totale e/o parziale e la divulgazione a terzi, senza nostro esplicito consenso scritto, verrà perseguito secondo i termini di legge in vigore.